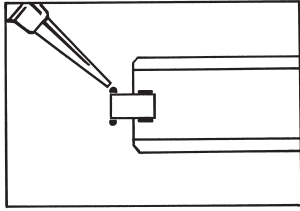


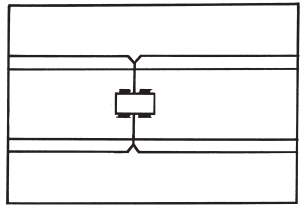
**FAAY**  
www.faay.nl  
+31 (0)347 37 66 24

**VP54/VP70**

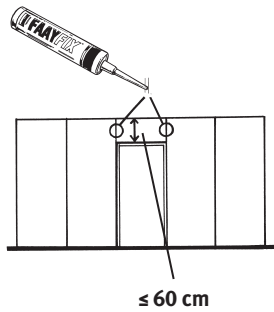
12



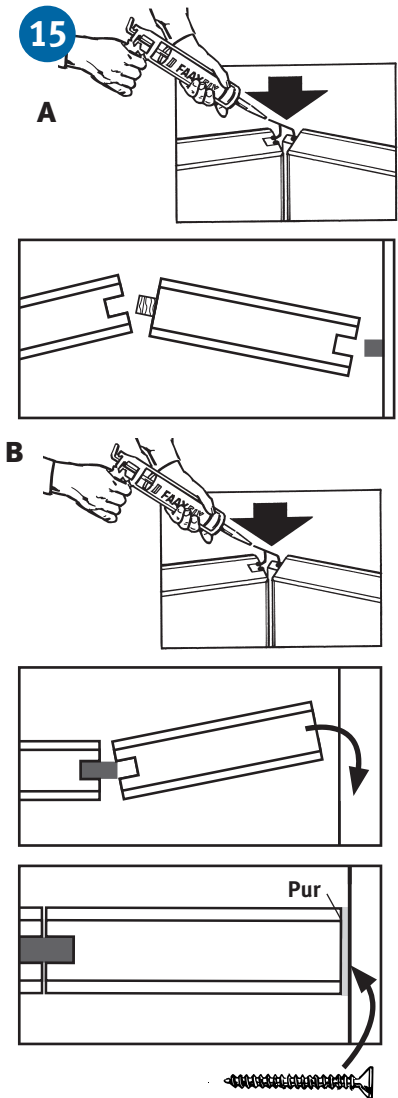
13



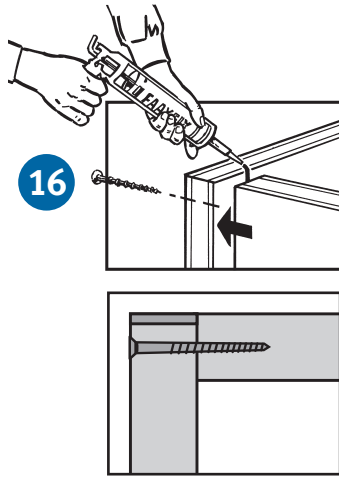
14



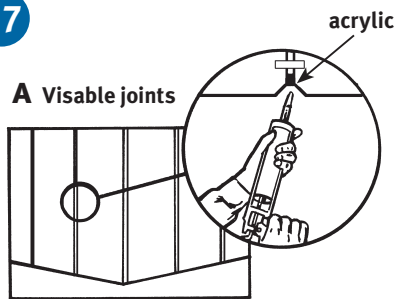
15



16



17

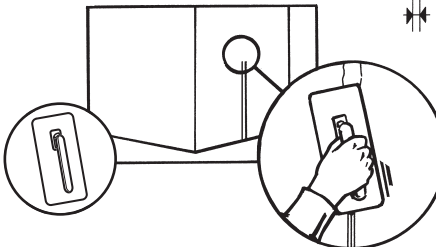
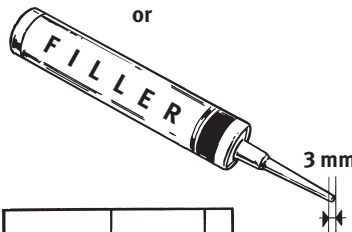


A Visible joints

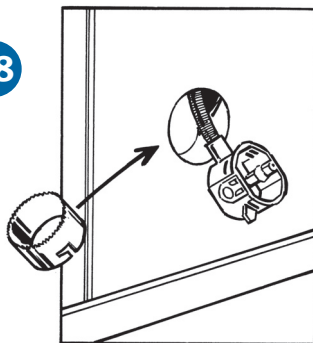
B Finished joints



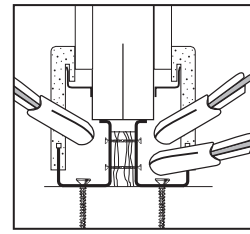
or



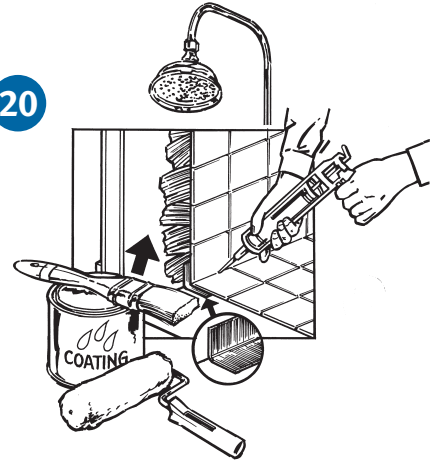
18



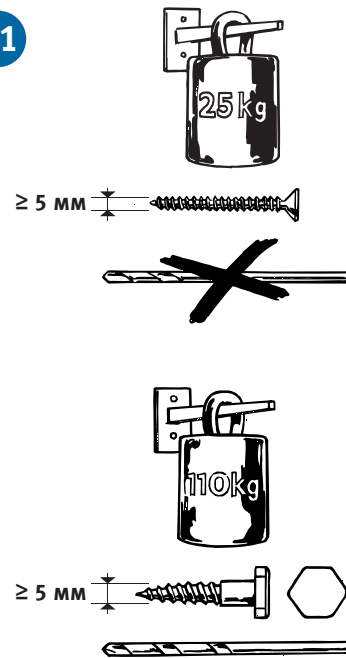
19



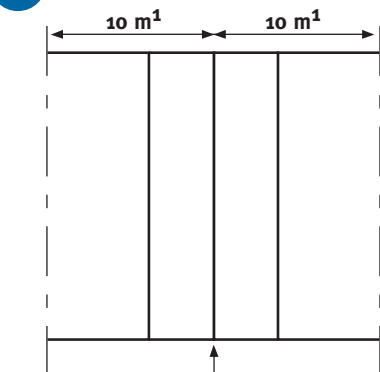
20



21



22



Dilatation joint 2-3 mm per 10 m<sup>2</sup> (dilatation joint sealing or dilatation profile)